



**MASER**

**Ultrasonic Rodent Repeller**



**AUTO MODEL**

**INSTALLATION MANUAL**

MASER ULTRASONIC  
RODENT REPELLER -  
AUTO MODEL

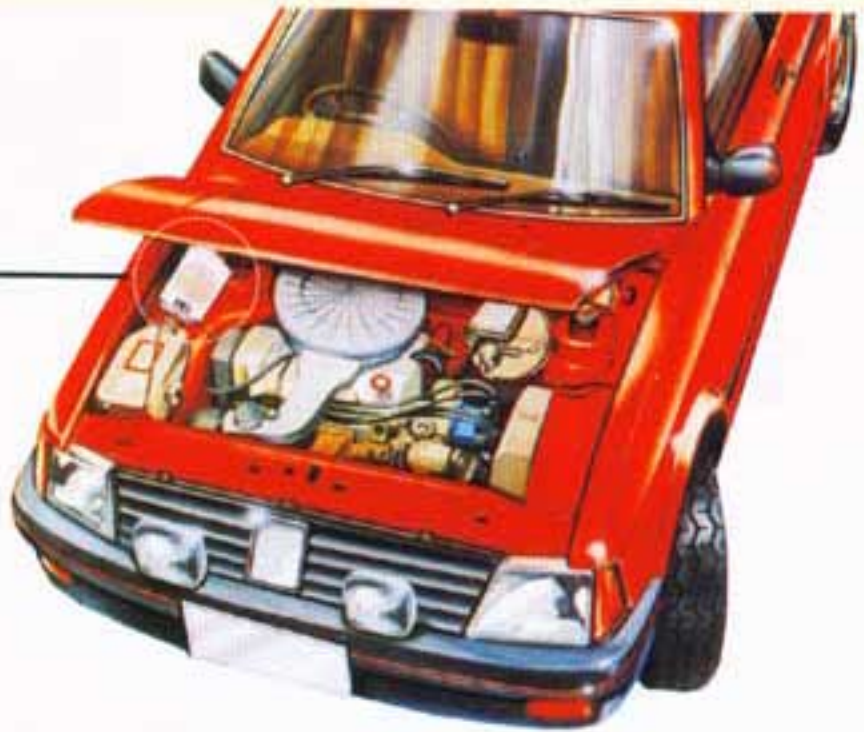


FIG. (I)

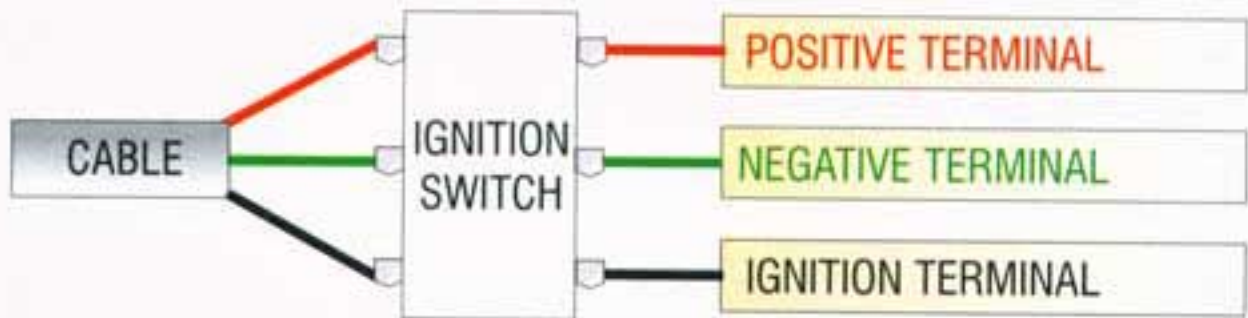


FIG. (II)

## INSTALLATION INSTRUCTIONS

- Fix Maser Ultrasonic Rodent Repeller - Auto Model unit under the bonnet of the vehicle away from the engine, as in fig (I)
- Connect the cables to the ignition switch as shown in fig (II)
- Now your Maser Ultrasonic Rodent Repeller - Auto Model is ready for operation.
- Maser Ultrasonic Rodent Repeller - Auto Model unit is "ON" when the ignition is switched "OFF" and is "OFF" when the ignition is switched "ON".
- If a switch is installed on the dashboard for this unit, instead of connecting it to the ignition switch then it should be switched "ON" every time the car ignition is switched "OFF". Please make sure you switch on the unit only when the car is parked or stationary.
- Make sure the Power ON switch on the unit is switched "ON" at all times.
- The machine can be tested by pressing the Test switch provided on it. The unit will emit a "Beep Beep" sound. This sound will stop once you release the switch.



## **MASER ELECTRONICS (P) LTD.**

76, Vishal Industrial Estate, Opp. Ceat Tyres, Bhandup (West),  
Mumbai - 400 078. (India) • Tel.: 2566 2631 (6 Lines) • Fax : 2566 5907  
E-mail : support@maserindia.com • Web : www.maserindia.com